

# The Hood Pro

Art. No.: 79 105



## Technical Data

Basic data	
Suction field	ISO 21904-1 compliant
luminous flux	501.93 lm
Connection Ø	150 mm
Dimensions (w x t x h)	287 x 361 x 416 mm
Weight	2.14 kg
Power supply	24V AC
Additional information	
rotation angle	360 °
Illumination width	510 x 445 mm
suction field	360 °

## Applications

- For use on KEMPER units with extraction arm and lighting or on wall-mounted extraction arms with additional transformer box
- Local extraction of welding fumes directly at the source

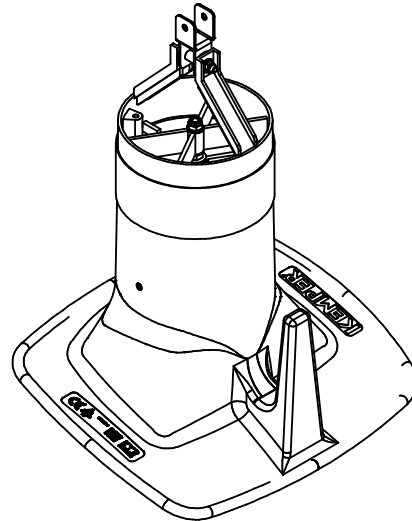
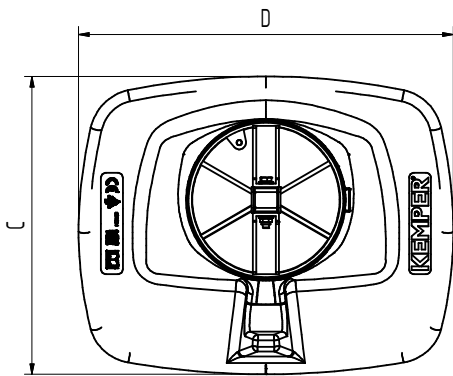
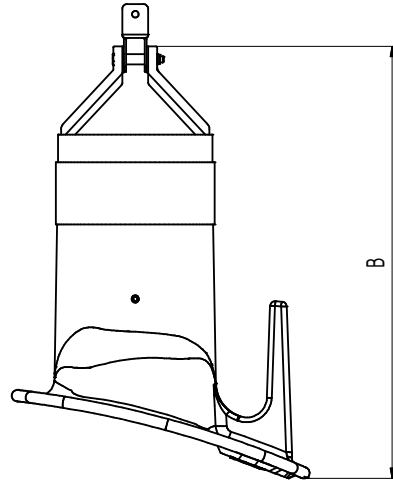
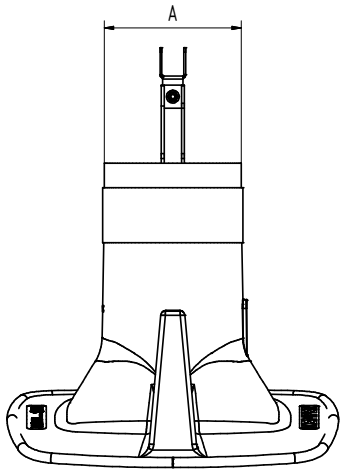
## Benefits

- Also compatible with automatic start-stop systems. In this case, double-tapping on the right controls the automatic system – not the device directly.
- Thanks to TouchControl, you can intuitively control the lighting and extraction with a double tap directly on the hood frame – simple, fast and glove-friendly.
- Easy focus lens replacement – no screws needed, in just 20 seconds.
- Maximum extraction performance thanks to flow-optimised hood shape with over 60% more extraction area.
- More brightness: Up to 80% increase in light efficiency compared to before – for better visibility and control in the workplace.
- Minimal maintenance thanks to lighting outside the air flow – for consistently reliable extraction performance.
- Plug & Play: quick installation of the connection cable
- Special light guidance on the area to be extracted – for greater work safety and minimal readjustment
- Tap & Go: Control without switches – the first TouchControl function makes it possible.

## Properties

- Can be retrofitted to all KEMPER devices with lighting – even those with automatic start-stop function
- Robust, switch-free design





## Technical Data

### Dimensions

A	149 mm
B	416.7 mm
C	287 mm
D	361 mm