

VacuFil Compact Twin

Art. No.: 82 380



Technical Data

Filter	
Filter stages	1
Filter method	Cleanable filter
Filter surface	6.7 m ²
Type of filter	Filter cartridge
Filter material	ePTFE membrane
Filter efficiency	> 99.9 %
Dust classification	M
Basic data	
Max. extraction capacity	280 m ³ /h
Extraction performance at 18000 Pa	215 m ³ /h
Max. fan performance	280 m ³ /h
Maximum vacuum	32000 Pa
Dimensions (w x t x h)	692 x 1018 x 878 mm
Weight	93 kg
Motor power	3.8 kW
Power supply	3 x 400 V / 50 Hz
Rated current	8.1 A
Noise level	73 dB(A)
Additional information	
IFA-Certification	Certification submitted
Fan type	Side channel blower
Compressed air supply	6 - 8 bar
Hose connection	Ø 2 x D = 45 / 63 mm
Air outlet	63 mm

Applications

- High levels of smoke and particles
- Regular use
- Torch extraction
- For two work places
- Alternating work places

Benefits

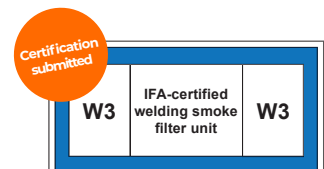
- Stepless preselection of the extraction power for the use of various extraction torches
- Intuitive one-button operation, for use with gloves
- Outstanding price-performance ratio thanks to a wide range of additional features
- High flexibility thanks to two connections with NW45/63mm each
- Extensions can be integrated via interface

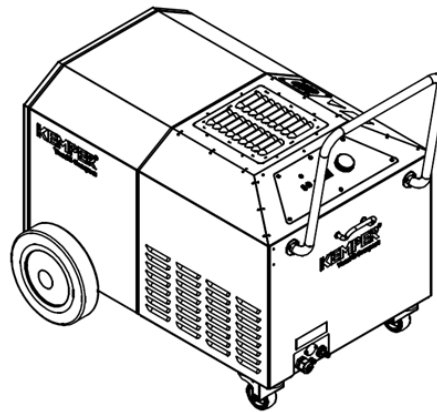
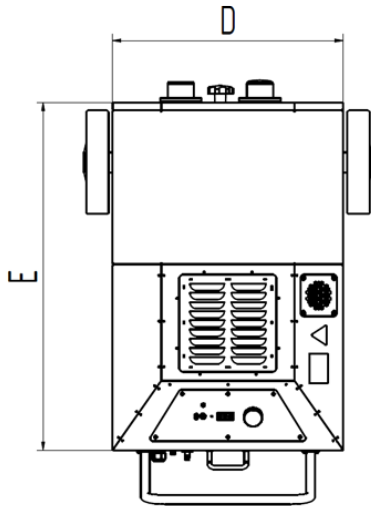
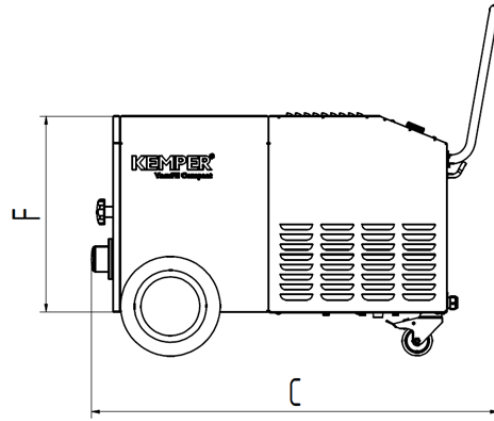
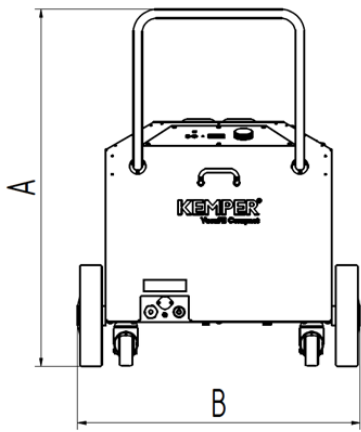
Properties

- Large filter surface
- Side channel blower
- KemTex® ePTFE filter cartridge
- Intuitive one-button operation
- Stepless air volume selection
- USB Type-A charging socket
- Compact design
- Monitoring of the extraction rate

Accessories

- Automatic start-stop
- Automatic air volume control
- Tool tray with cup holder
- Suction hose
- Slot and funnel nozzle
- Connector for welding torches





Technical Data

Dimensions

A	878 mm
B	692 mm
C	1018 mm
D	555 mm
E	836 mm
F	490 mm