

# ArcFil

Art. No.: 20 560



## Applications

- Medium levels of smoke and dust
- Specifically suited for robot welding applications

## Benefits

- Contamination-free dust collection due to lever fixing of the dust collection container
- Considerable energy cost savings by using the optional automatic volume control through demand-based extraction capacity regulation
- Uninterrupted continuous operation due to automatic, demand-oriented filter cleaning

## Properties

- KemTex PE-M Cartridge Filter
- Automatic filter cleaning on required basis
- Highly effective and uniform filter cleaning by means of rotary nozzle
- Quick and easy installation thanks to user-friendly preparation
- Low space requirement due to compact design
- Easy to use: Intuitive & ergonomic one-button operation

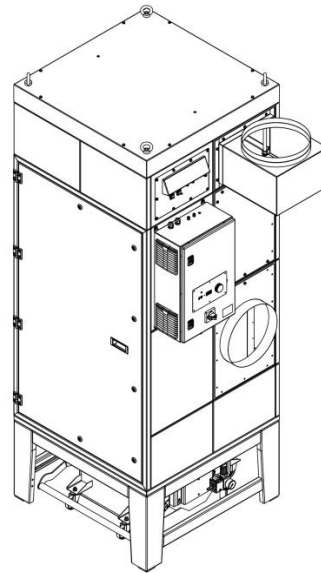
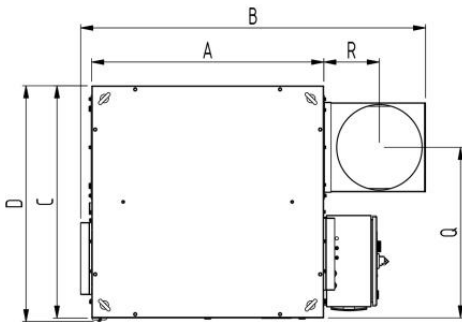
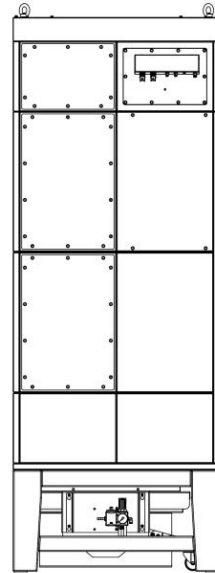
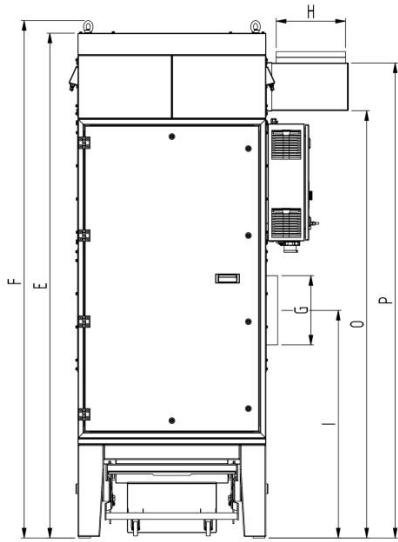
## Accessories

- Automatic start/stop using contact
- Dosing unit for pre-coating the filter cartridges
- Automatic suction power regulation
- Spark separator – SparkTrap



## Technical Data

<b>Filter</b>	
Filter stages	1
Filter method	Cleanable filter
Filter cleaning method	Rotating nozzle
Filter surface	3 x 30 m <sup>2</sup>
Number filter elements	3
Filter surface total	90 m <sup>2</sup>
Type of filter	Filter cartridge
Filter material	PE-M membrane
Filter efficiency	> 99,99 %
Dust classification	M
<b>Basic data</b>	
Max. fan performance	7600 m <sup>3</sup> /h
Extraction capacity	3800 - 5500 m <sup>3</sup> /h
Vacuum	3200 - 1850 Pa
Weight	591 kg
Motor power	7,5 kW
Power supply	3x380-415V/50Hz
Rated current	13,7 A
Noise level	76 dB(A)
<b>Additional information</b>	
Fan type	Radial fan, direct driven
Compressed air supply	5 - 6 bar
Air outlet	355 mm
Air intake	355 mm
Capacity Dust collection container	70 l



## Technical Data

### Dimensions

A	962 mm
B	1385 mm
C	962 mm
D	978 mm
E	2585 mm
F	2650 mm
G	355 mm
H	355 mm
I	1166 mm
O	2188 mm
P	2433 mm
Q	707 mm

The shown transition pieces are optional

# Pressure-volume graph

- Fan characteristic curve
- Working pressure increase
- ▨ Recommended Use

