

# LaserFil

Art. No.: 27 731



## Applications

- Medium levels of smoke and dust
- Specifically suited for laser cutting processes

## Benefits

- Contamination-free dust collection due to lever fixing of the dust collection container
- Considerable energy cost savings by using the optional automatic volume control through demand-based extraction capacity regulation
- Uninterrupted continuous operation due to automatic, demand-oriented filter cleaning

## Properties

- KemTex® ePTFE filter cartridge
- Automatic filter cleaning on required basis
- Highly effective and uniform filter cleaning by means of rotary nozzle
- Quick and easy installation thanks to user-friendly preparation
- Low space requirement due to compact design
- Easy to use: Intuitive & ergonomic one-button operation

## Accessories

- Automatic start/stop using contact
- Dosing unit for pre-coating the filter cartridges
- Automatic suction power regulation
- Spark separator – SparkTrap



## Technical Data

### Filter

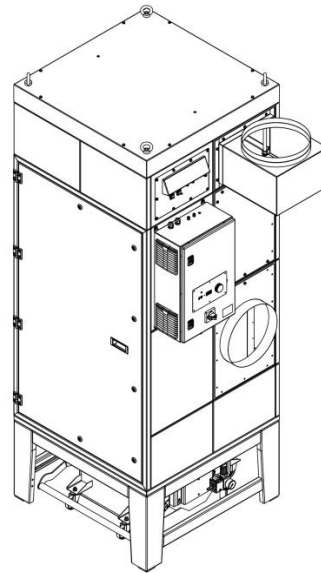
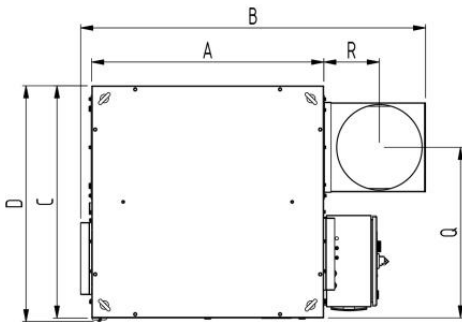
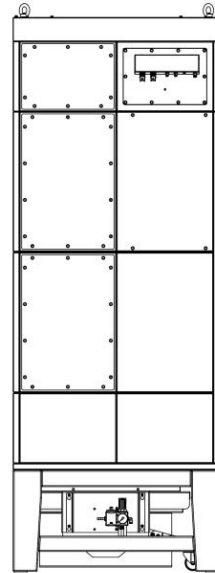
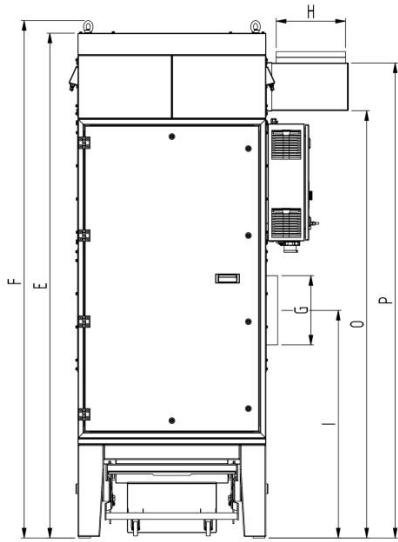
Filter method	Cleanable filter
Filter cleaning method	Rotating nozzle
Filter surface	15 m <sup>2</sup>
Number filter elements	4
Filter surface total	60 m <sup>2</sup>
Type of filter	Filter cartridge
Filter material	ePTFE membrane
Filter efficiency	> 99.9 %
Dust classification	M

### Basic data

Max. fan performance	5500 m <sup>3</sup> /h
Extraction capacity	2750 - 3900 m <sup>3</sup> /h
Vacuum	2500 - 1550 Pa
Weight	559 kg
Motor power	4 kW
Power supply	3x380-415V/50Hz
Rated current	7,45 A
Noise level	72 dB(A)

### Additional information

Fan type	Impeller, direct driven
Compressed air supply	5 - 6 bar
Air outlet	355 mm
Air intake	355 mm
Capacity Dust collection container	70 l



## Technical Data

### Dimensions

A	962 mm
B	1385 mm
C	962 mm
D	978 mm
E	2585 mm
F	2650 mm
G	355 mm
H	355 mm
I	1166 mm
O	2188 mm
P	2433 mm
Q	707 mm

The shown transition pieces are optional

# Pressure-volume graph

- Fan characteristic curve
- Working pressure increase
- ▨ Recommended Use

